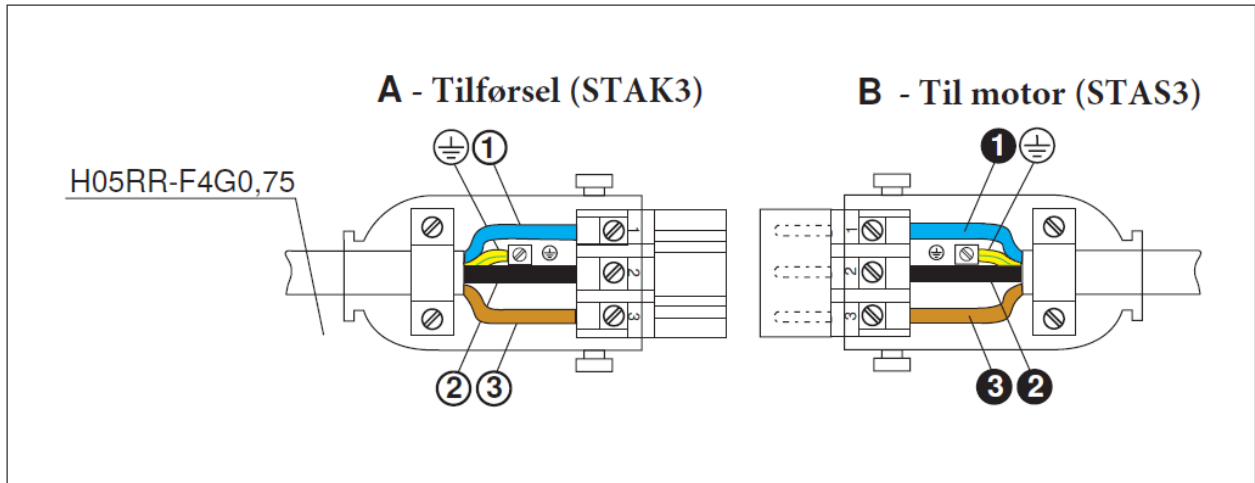


# Kobling av trådmotor

Fig. 1 Plug-in connection STAK 3 / STAS 3



Connection pin assignment STAK 3 / STAS 3

- A** STAK 3 coupling (on-site connection 230 V AC)
- B** STAS 3 plug connector (power consumer connection)
- ① Neutral conductor (blue)
- ② Phase L (black)
- ⊕ PE conductor (green-yellow)
- ① Neutral conductor (blue)
- ② UP (black)
- ③ DOWN (brown)

**NOTICE** When using a type H05RR-F 4G0,75 motor line, a supply voltage fuse protection of 6 A must be provided on-site.