

A lot of motion with a single slide.

Hardware for simultaneously sliding up to 4 wood, metal or aluminium shutters of up to 60 kg (132 lbs.).

Description

HAWA-Frontslide 60/A-Telescopic is a reliable hardware system with modest space requirements for screening large window areas with manually operated sliding shutters. The shutters slide simultaneously into the open and closed position thanks to a toothed belt. And without any banging noises caused by colliding catches. Aluminium covering screens in either natural anodized or plain finishes ready for custom painting provide aesthetic appeal and are easily clipped on to the inside or outside of the top track. In buildings with ventilated cladding, open windows shutters can slide out of sight into the space between the building wall and the cladding.

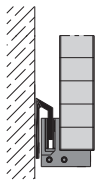
Applications

Ideal for façades with a high proportion of glass, wherever screening and shade form part of the façade design, and where space is at a premium, e.g. schools, hotels, public buildings, office and administration premises, apartment buildings, low-energy houses, etc.

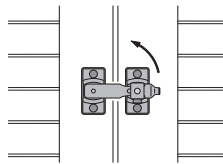
Features of the HAWA-Frontslide 60/A-Telescopic

- Maximum sliding shutter weight: 60 kg (132 lbs.)
(Systems for heavier shutters available on request)
- Sliding shutter thickness: 28–40 mm ($1\frac{1}{8}$ "– $1\frac{13}{32}$ ")
- Sliding shutter width: 550 mm–1200 mm ($1'9\frac{21}{32}$ "– $3'11\frac{1}{4}$ ")
- Maximum sliding shutter height: 3200 mm (10'6")
- Maximum sliding shutter surface: 6.24 m² ($20'5\frac{11}{16}$ ")
- Corrosion-resistant materials
- Fibreglass-reinforced toothed belts guarantee high tensile strength and a low level of expansion
- Shutters can be removed without loosening the toothed belt
- Fast and efficient assembly from below and from the façade side
- Clip-on covering screens for inside or outside attachment
- For wood, metal or aluminium sliding shutters
- Various guide options
- External tests certify the highest wind resistance (Class 6)

Guides
→ pages Seite 32




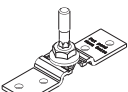
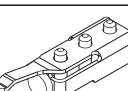
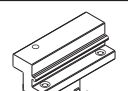
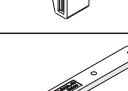
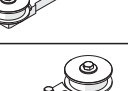
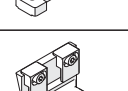
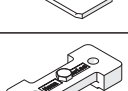
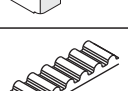
Locking mechanisms
→ pages 34



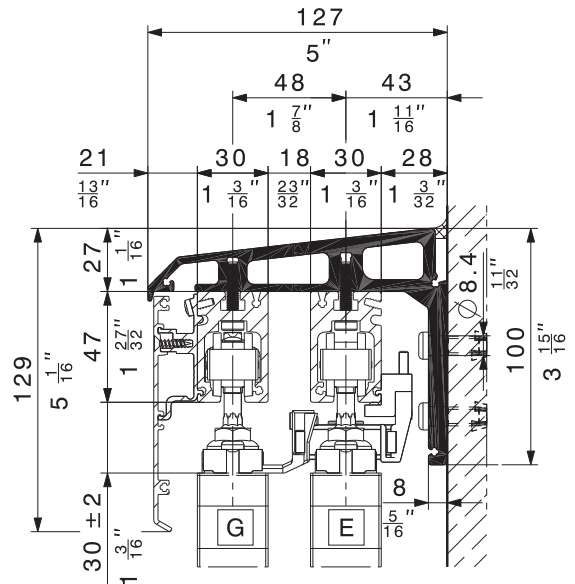
Set for HAWA-Frontslide 60/A-Telescopic (Type E/G)

	code
HAWA-Frontslide 60/A-Telescopic, set for 2 sliding shutters, 550-1200 mm (1'9 ²¹ / ₃₂ "-3'11 ¹ / ₄ ")	20211

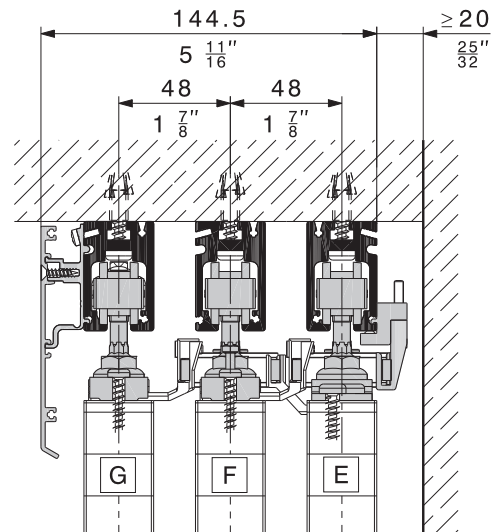
Set comprising

	piece	code
	4	17119
	4	17023
	2	17027
	1	21431
	1	20139
	1	20140
	1	20141
	1	20246
	1	20208

Two sliding shutters of up to 60 kg max. per panel

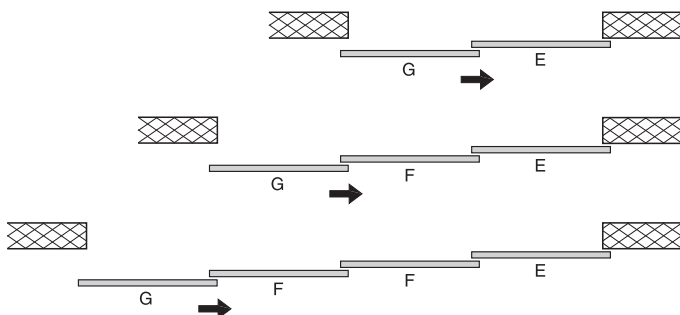


Three sliding shutters of up to 60 kg max. per panel

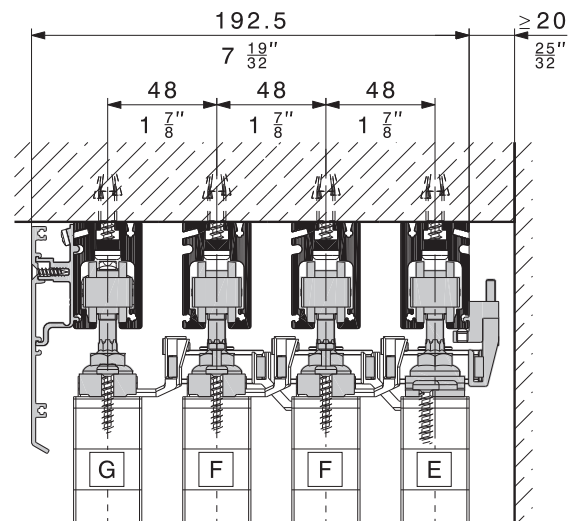


Using different types of additional sets

A maximum of two additional "Type F" sets can be used between the two-panelled basic set "Type E/G".



Four sliding shutters of up to 60 kg max. per panel


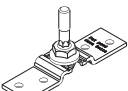
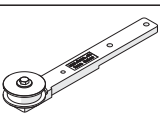
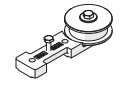
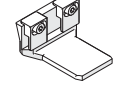
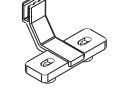
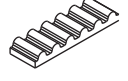


Subject to modification. Metric specifications are exact. Inches are approximate.

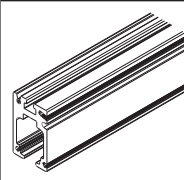

Additional set for HAWA-Frontslide 60/A-Telescopic (Type F)

	code
HAWA-Frontslide 60/A-Telescopic, additional set for 1 sliding shutter	20210

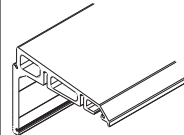



Additional set comprising

	piece	code
 Two-wheeled trolley, M8, with plastic wheels	2	17119
 Top fixing plate, stainless steel, with hanger bolt M8	2	17023
 Guide pulley wheel, with fixing plate, long	1	20139
 Guide pulley wheel, with fixing plate, short	1	20140
 Driver, wide	1	20141
 Driver, narrow	1	20142
 Toothed belt, black, 2,7 m (8'10 ⁵ / ₁₆ "), fibreglass reinforced	1	20208

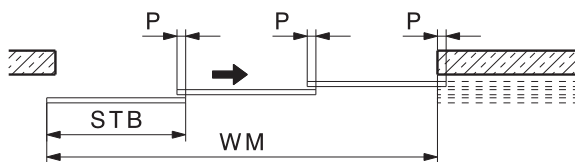
Top tracks for installations with or without covering screens

Caution: Hole positions vary.		mm/inch	code
	Top track to manual systems, alu plain anodized, predrilled	2500 (8'2 ⁷ / ₁₆)	21372
		3500 (11'5 ¹³ / ₁₆)	21373
		6000 (19'8 ⁷ / ₃₂)	21374
		cut to size	21375
	Connecting bolts, set of 6 pieces		17221

Angled profile support

Caution: Hole positions vary.		mm/inch	code
	Angled profile support for two sliding level, alu plain anodized, predrilled	2500 (8'2 ⁷ / ₁₆)	21382
		3500 (11'5 ¹³ / ₁₆)	21383
		6000 (19'8 ⁷ / ₃₂)	21384
		cut to size	21385
		6000 (19'8 ⁷ / ₃₂)	21386
	Angled profile support for two sliding level, alu unanodized, predrilled	cut to size	21387
		6000 (19'8 ⁷ / ₃₂)	21388
	Special fixing screws for securing top track to angled profile support, set of 10 pieces (3 pieces per metre)		21467
	Connecting bolts, set of 6 pieces,		17221
Special screws (code 21467) must be used for best results when fixing the track to the angled profile support.			

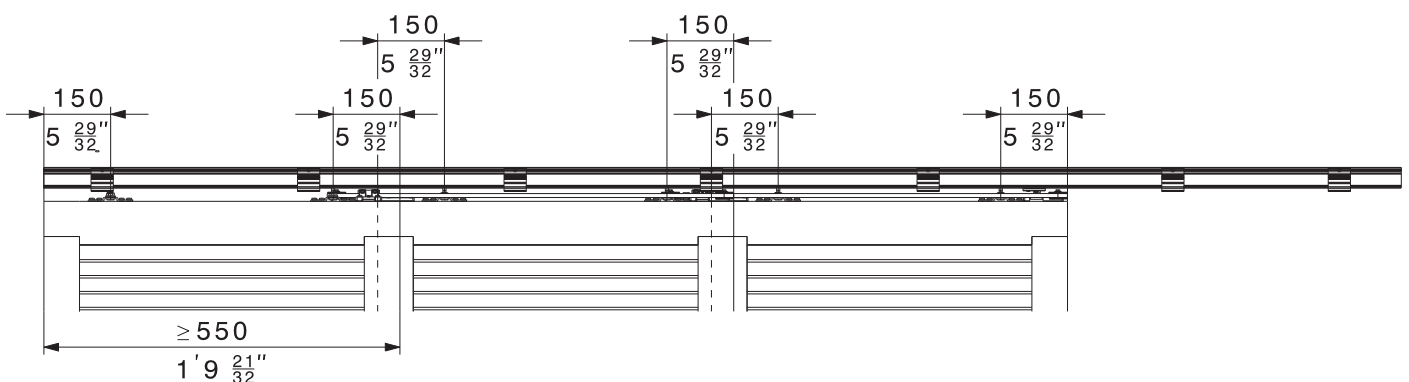
Shutter width calculation



WM =	Wall dimensions
STB =	Sliding shutter width
AT =	Number of shutters
P =	Shutter overlap

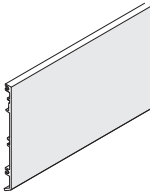


$$STB = \frac{WM}{AT} + P$$

$$P = \geq 50 \text{ mm (1 } \frac{31}{32} \text{")}$$



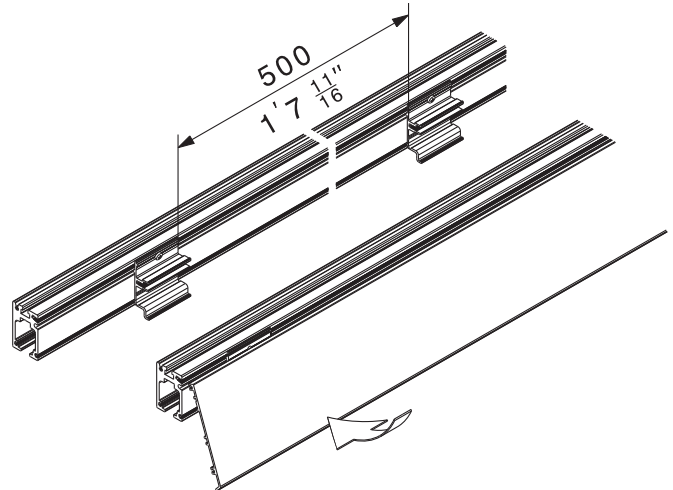
Subject to modification. Metric specifications are exact. Inches are approximate.

Covering screens

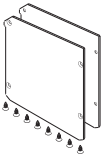
		mm/inch	code
	Covering screens, alu plain anodized	2500 (8'2 ⁷ / ₁₆)	19722
		3500 (11'5 ¹³ / ₁₆)	19721
		6000 (19'8 ⁷ / ₃₂)	19720
		cut to size	19723
	Covering screens, alu unanodized	6000 (19'8 ⁷ / ₃₂)	19736
cut to size		19737	
	Parts for fitting top track cover for manual systems, set of 5 pieces		21468
	Connecting bolts, set of 6 pieces		17221

Fitting the covering screens

Cover fixings (code 21468) are required for attaching the covering screens.



Front cover plates

		aluminium	code
	Front cover plates, for wall fitting, for two sliding level, without spacer profile, 1 pair	plain anodized	21469
		unanodized	21470

Guides and locking mechanisms for sliding shutters

Bottom guides and locking mechanisms: → pages 32–36.

Custom installations

Please contact Hawa for custom installations, such as symmetrically opening 4-door systems.



Order specifications

- Number of sets "Type E/G"
- Number of additional sets "Type F"
- Number and length of top tracks
- For wall fittings:
 - Number, length and type of angled profile support
 - Number of **special fixing screw sets**
- Number, length and type of covering screens
- Number of fitting parts to covering screens
- Number and length of Z-guide profiles
- Number and type of guides

Optional order specifications

- Number of connecting bolt sets for profiles and covering screens
- Number and type of front cover plates
- Number and type of sliding shutter locking mechanisms

Planning/installation

For planning and installation purposes, please use the installation drawing code 20165. (→ www.hawa.ch → HAWA-Productfinder)